

Model JS-10/JS-30 Series Magnetic Level Switch For Magnetic Liquid Level Indicators



Description

The Jogler **JS-10/JS-30 Series** switches are magnetically actuated point level switches. The JS-10 (1 amp) and JS-30 (3 amp) can be configured as a SPDT or DPDT* and are available in a "flying lead" configuration (no enclosure), an epoxy-coated Aluminum enclosure, or a 316 stainless steel enclosure. The JS-10 is a low power switch best suited for DCS or PLC inputs. The JS-30 is a high power switch used to actuate larger relays and solenoid valves. The JS-10/JS-30 switches are non-intrusive level switches that require no contact with the process fluid and have no wetted parts.

Note: DPDT configuration consists of 2 SPDT switches. For a true DPDT switch see JS-110 series.

Technology

The JS-10/JS-30 Series contain 1 or 2 form C bi-stable latching switches. The switches consist of a magnetically actuated reed switch and bias magnet. The reed switch contains precious metal contacts hermetically sealed in an inert gas atmosphere sealed with a glass-to-metal bond. The bias magnet holds the switch in its last state, allowing it to maintain its state even in high-vibration environments. The hermetically-sealed contacts ensure safe operation even in hazardous environments.

Standard Features

- Magnetically actuated, hermetically sealed, bi-stable latching switch
- No process piping or valves required
- Easy mounting with infinitely adjustable setpoint
- Hermetically sealed magnetic reed switch
- Latching bias magnet maintains state in high-vibration environments
- Available with flying leads (no enclosure), Epoxy-coated Aluminum enclosure, or a Stainless Steel Enclosure
- Extended operation in extreme environments



Model JS-10/JS-30 Series Magnetic Level Switch For Magnetic Liquid Level Indicators

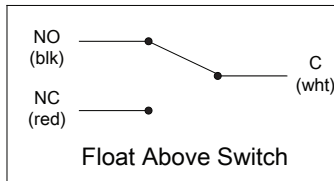
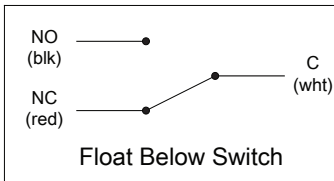


Specifications:

- Switch Type: Magnetically actuated, hermetically sealed bi-stable latching switch
- Contact Material: JS-10 Rhodium; JS-30 Tungsten
- Max Deadband: 0.6" (differential between 2 SPDT switches is 1/8")
- Contact Ratings: JS-10 150VDC, 1A, 25W; 130VAC, 0.2A max / 230VAC, 0.1A max; JS-30 150VDC, 3A, 75W; 120VAC, 0.625A max / 25VAC, 3A max / 240VAC, 0.3125A max
- Ambient Temperature Rating*: -40°F(-40°C) to 220°F(105°C)
- Min. Process Temperature*: -40°F(-40°F) *contact factory for colder applications to -320°F process temps
- Max. Process Temperature*: 390°F(200°C) *For process temperatures to 890°F see mounting options below
- Customer Connection: 3/4" FNPT conduit and 18AWG wiring harness
- Enclosure Options: Epoxy coated Aluminum, 316 Stainless Steel
- Mounting Options: For process temperatures up to 390°F - Mounting style O
For process temperatures up to 690°F - Mounting style H
For process temperatures up to 890°F - Mounting style R
- Hazardous Area Ratings: XP Class I/ Div 1/ Groups BCD
NI Class I/ Div 2/Groups ABCD
DIP Class II,III/ Div 1/ Groups EFG
NEMA 4X

*Note: Ambient and operating temps are for enclosure styles O and S only. Subtract 40°C from max temps for Aluminum enclosure

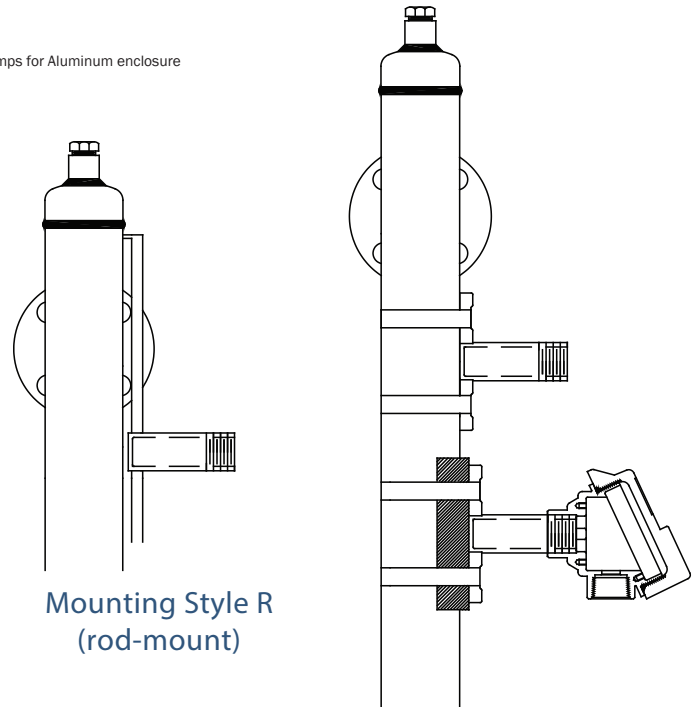
Wiring Diagram



Ordering Information

Model Number: JS-ab-c-d

- a Current Rating
 - 1 1 amp
 - 3 3 amp
- b Number of reed switches
 - 1 1 switch (SPDT configuration)
 - 2 2 switches (DPDT configuration)
- c Enclosure
 - 0 Flying lead (no enclosure)
 - A Epoxy-coated Aluminum Explosion-proof Enclosure
 - S Stainless Steel Explosion-proof Enclosure
- d Mounting
 - O Standard clamp mounting to magnetic level gauge
 - H Standard clamp mounting to magnetic level gauge with high-temperature insulation pad



JS-ab-0-0 as High-High Level Switch
JS-ab-A-H as High Level Switch